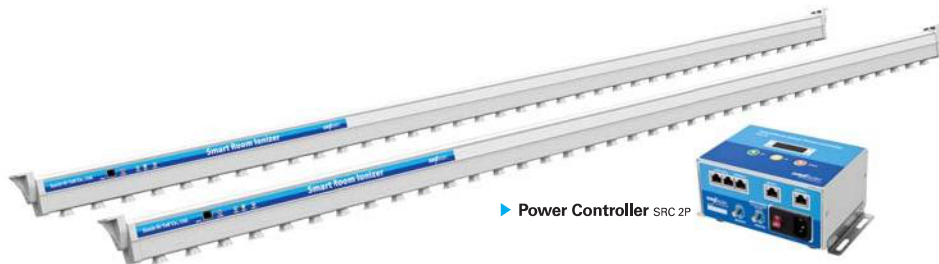


# ION BAR

## SRB Series

High Density  
Room Ion Bar



▶ Power Controller SRC-2P

▶ Ion Bar SRB Series



### Key Features

- Spatial aspects of ionization to eliminate any static problem
- Various length of ion bar for numerous installing environment
- No need(CDA, N2) of the compressed air (e.g.Non-Air System), therefore, saving maintenance costs
- Applying RMS(Real-Time Monitoring System) system to check operation status in real time (Optional) [More](#)

### Specifications

▶ SRB Series

Model	SRB Series	Remarks
Input Power	-	
Power Consumption	Max.15W	
Ion-Generation Method	Corona Discharge Pulse AC	
Air Purge Supply Pressure	Non air pressure	
Air Purge Connection Port	-	
Ion Balance	within ± 30V	1000mm
Main Body Material	Non-Flammable ABS	Level V0
Electrode	Standard Tungsten	
Material	Option Silicon	
Emitter Replacement	Cartridge Type	
Operation Circumstance	0°C ~ +50°C(32°F ~ 122°F), 35% ~ 85% RH	
Dimensions	Please Refer to Dimension Drawing	
Mounting Method	Bolt Mounting with Bracket	
Function	-	
Adjust	Period [Sec]	Positive 1 ~ 10 Sec. / Negative 1 ~ 10 Sec.
Function	Voltage [Level]	Level 1 ~ 10
Alarm Function	HV Abnormal Alarm	
Interface	Output : Run State, Alarm / Input : Remote	RJ45
Operating Distance	50~2,000mm	
High Voltage Cable	-	
Warranty	1 Year(After 1 year of your purchase)	

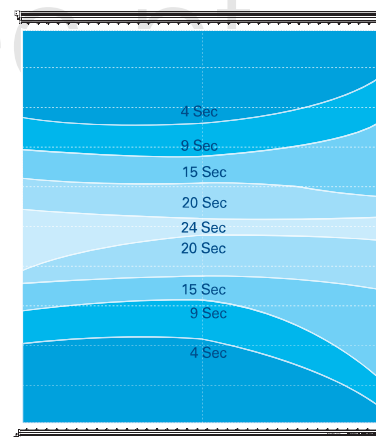
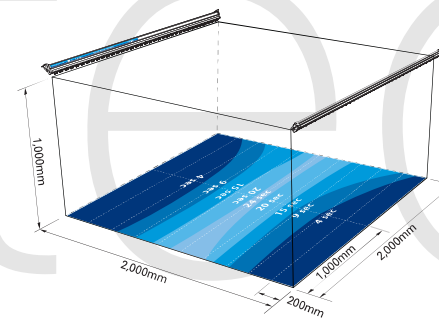
▶ Power Controller [SRC-2P]

Model	SRC-2P	Remarks
Input Power	AC100~240V, 50/60Hz	
Output Voltage[Max.]	Adj. Pulse Power	
Power Consumption	Max. 15W	AC 220V
Current Consumption	Max. 68mA	
Output Port	2 Port	
Alarm	HV Abnormal	
Weight	4.5kg	
Main Body Material	EGI	
Ion Bar Number Connectable	2EA	
Dimensions	Please Refer to Dimension Drawing	
Interface	Output : RS-485, Alarm / Input : Remote	RJ45
Function	Period [Sec]	Positive 1 ~ 10 Sec. / Negative 1 ~ 10 Sec.
	Voltage [Level]	Level 1 ~ 10
Warranty	1 Year(After 1 year of your purchase)	

### Decay Time Characteristics

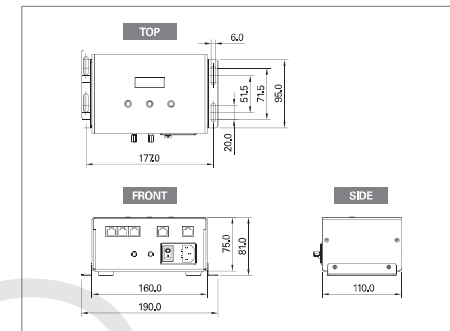
▶ Test Conditions

- Model: SRB-2100
- Socket : SIE-CS
- Output Voltage : Positive(+) 11kV, Negative(-) 7.5kV
- Air Pressure : None Air Pressure
- Decay Time : ±1,000V to ±100V
- Temperature & Humidity : 24°C ± 1°C, 40% ± 2%RH
- Charge Plate Capacitance : 20pF ± 2pF (150 X 150mm)
- Frequency : 0.1Hz

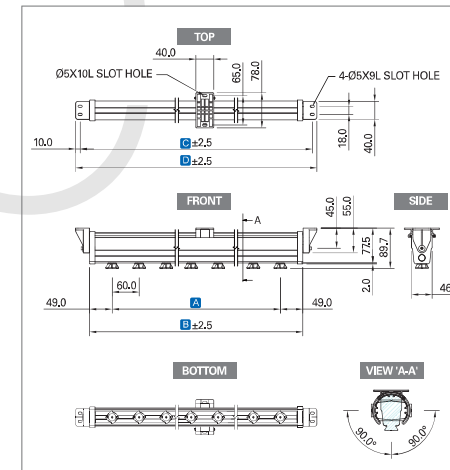


### Dimensions

▶ Power Controller [SRC-2P]



▶ Ion Bar [SRB-Series]



▶ [Model : SRB-1100 ~ 3200] Dimensions

MODEL	TIP QTY	A	B	C	D	MIDDLE BRACKET QTY
SRB-1100	18	1020	1118	1160	1180	-
SRB-1200	20	1140	1238	1280	1300	-
SRB-1300	22	1260	1358	1400	1420	-
SRB-1500	24	1380	1478	1520	1540	1
SRB-1600	26	1500	1598	1640	1660	1
SRB-1800	30	1740	1838	1880	1900	1
SRB-2100	36	2100	2198	2240	2260	2
SRB-2200	38	2220	2318	2360	2380	2
SRB-2300	39	2280	2378	2420	2440	2
SRB-2500	43	2520	2618	2660	2680	3
SRB-3000	50	2940	3038	3080	3100	3
SRB-3200	53	3120	3218	3260	3280	3

Soft X-ray Ionizer

Ion Bar

Ion Blower

Ion Nozzle

Measurement & Monitoring System

Real Monitoring System

Dust Collector

Soft X-ray Ionizer

Ion Bar

Ion Blower

Ion Nozzle

Measurement & Monitoring System

Real Monitoring System

Dust Collector